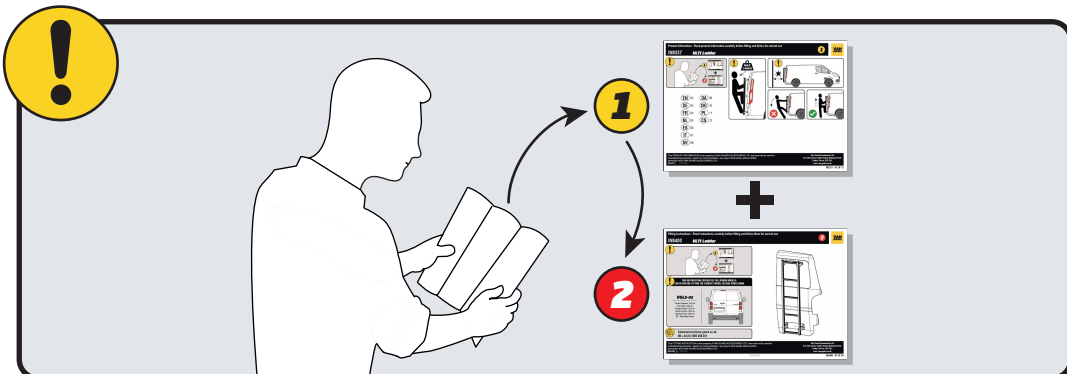


IN8408

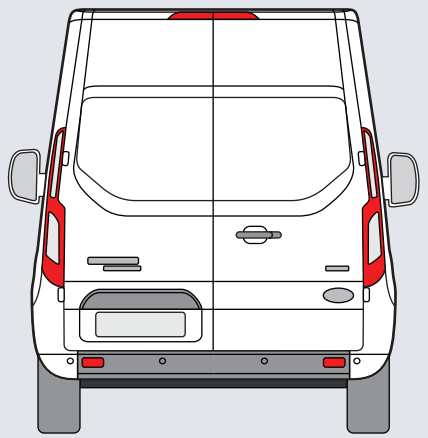
ULTI Ladder



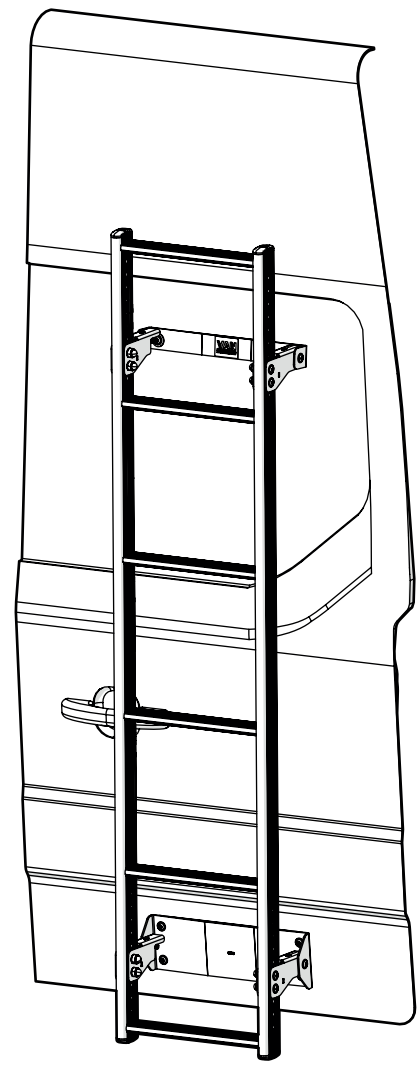
**THIS INSTRUCTION COVERS THE FOLLOWING MODELS
CHECK YOU ARE FITTING THE CORRECT MODEL BEFORE PROCEEDING**

VGL6-04

Ford Transit Custom: 2012 on
H2 - Twin Rear Doors



Customercare@van-guard.co.uk
UK +44 (0) 1392 368 351



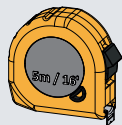
This FITTING INSTRUCTION is the property of VAN GUARD ACCESSORIES LTD. and must not be used for manufacturing purposes, copied nor communicated in any way to third parties without written permission from VAN GUARD ACCESSORIES LTD.
IN8408_B (CN:00137)

Van Guard Accessories Ltd
Fair Oak Close, Exeter Airport Business Park,
Exeter, Devon, EX5 2UL
www.van-guard.co.uk

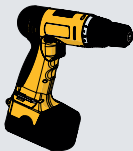
SUPPLIED COMPONENTS - CHECK ALL PARTS ARE PRESENT AND CORRECT BEFORE PROCEEDING

TOOLS REQUIRED

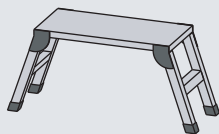
13MM X1



4MM X1



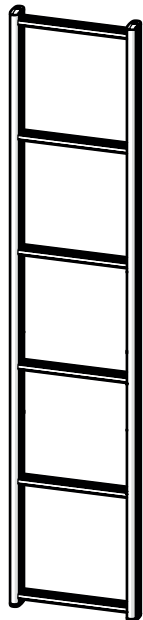
9MM X1



X1

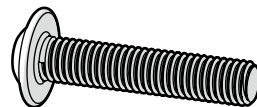


AS3593 X1



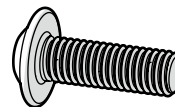
FX4249 X8

(M8X40)



FX4250 X10

(M8X25)

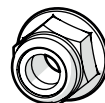


ME1911 X1

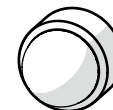


FX4240 X18

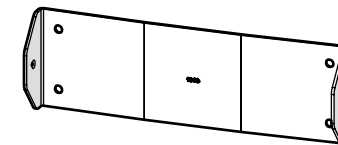
(M8)



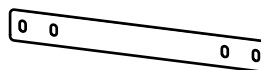
FX4241 X8



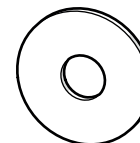
ME1910 X1



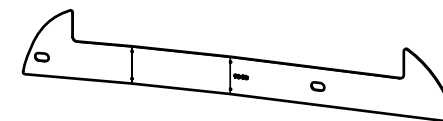
MA6200 X3



FX4252 X2



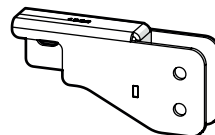
ME1919 X1



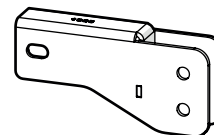
FX4008 X1



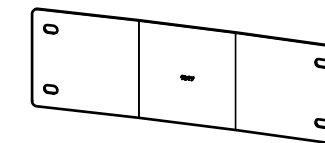
ME1906 X2



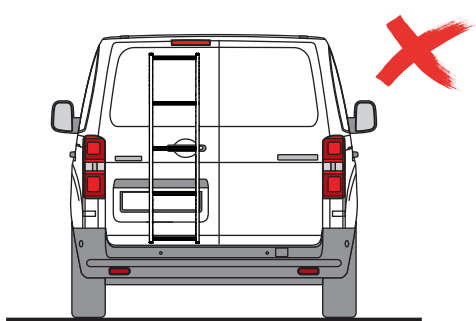
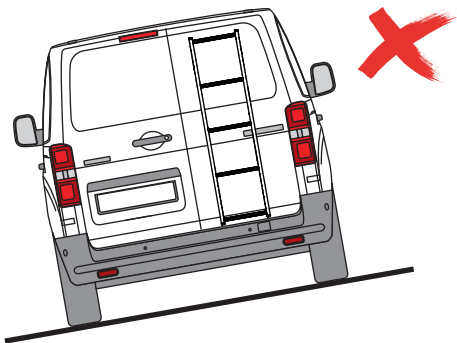
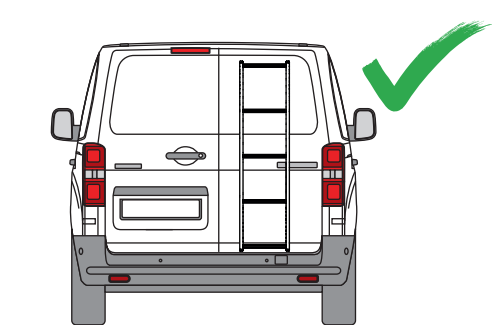
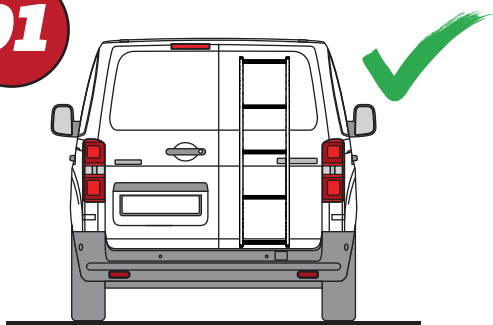
ME1905 X2



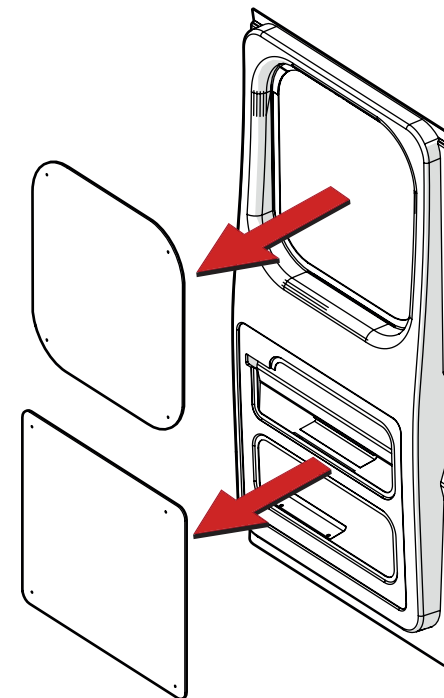
ME1917 X1



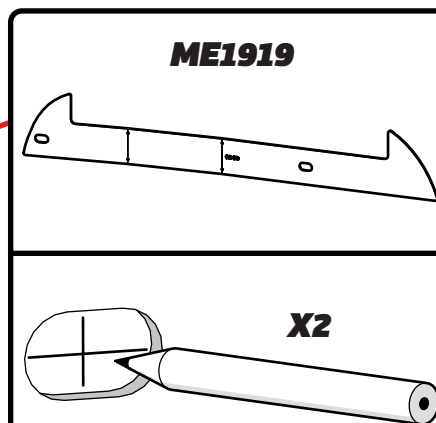
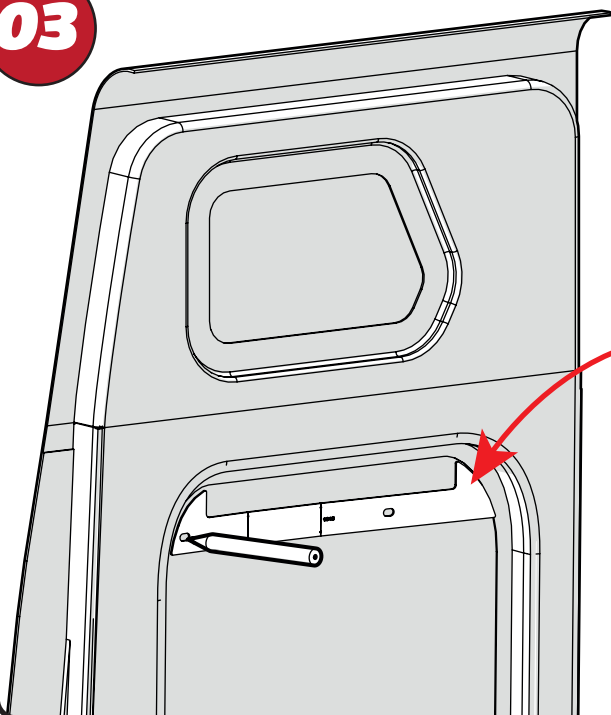
01



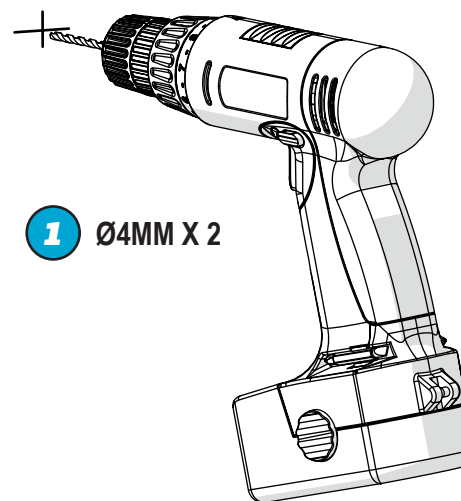
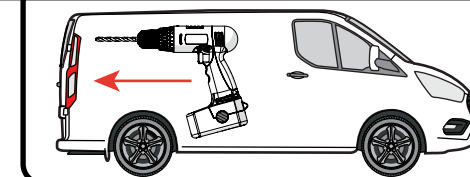
02



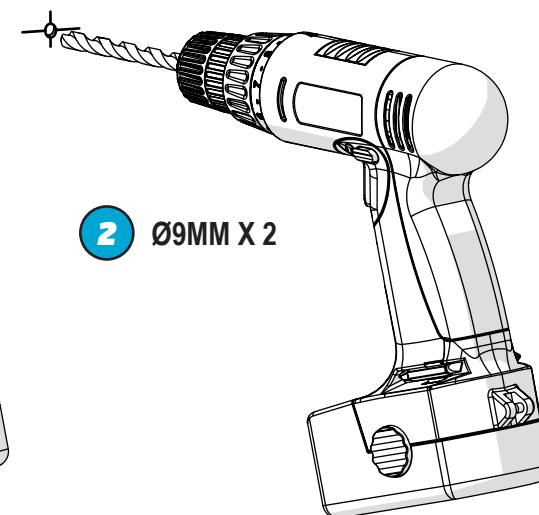
03



04



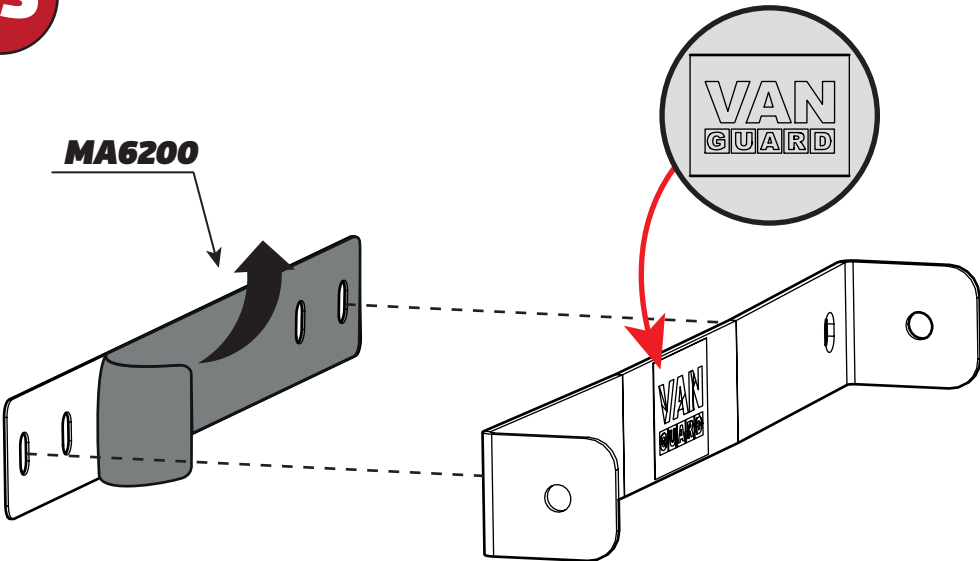
1 Ø4MM X 2



2 Ø9MM X 2

05

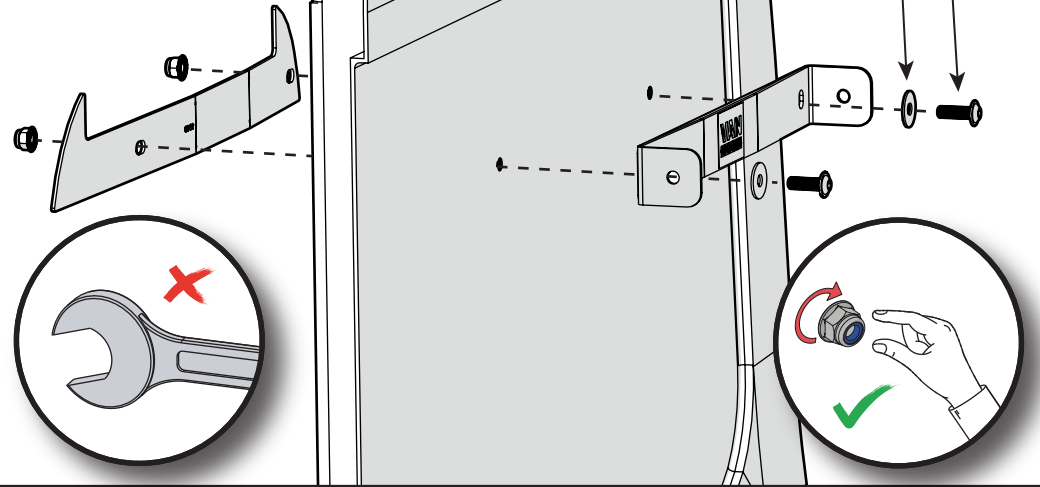
MA6200



06

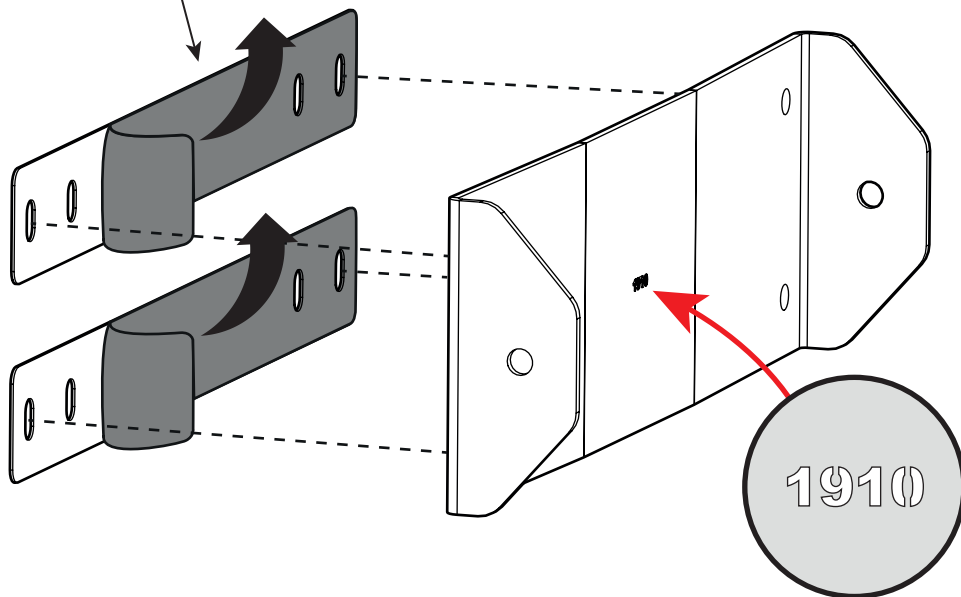
FX4250

FX4252



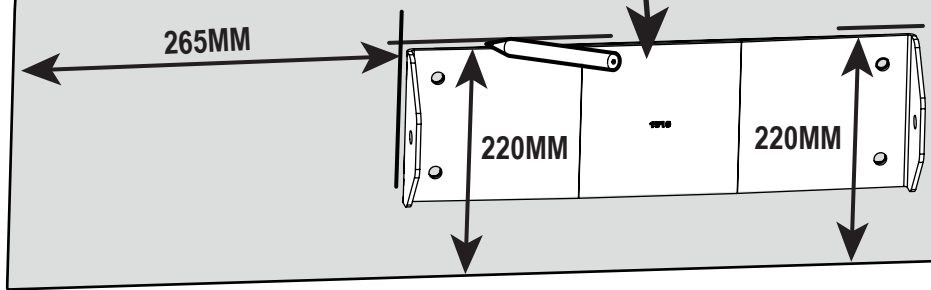
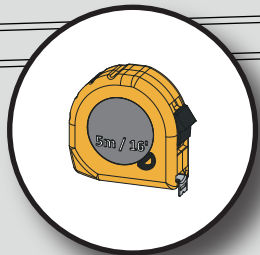
07

MA6200

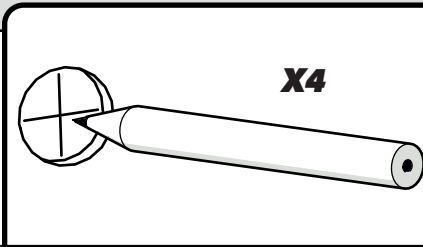
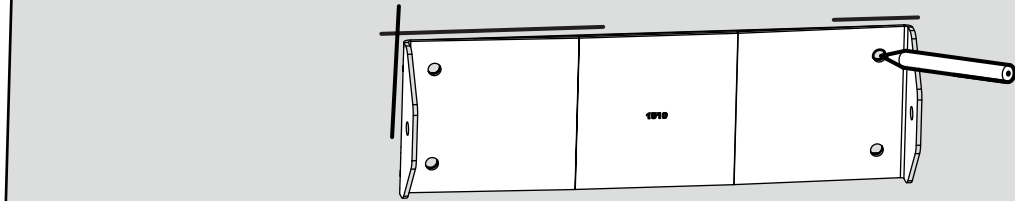


08

1910

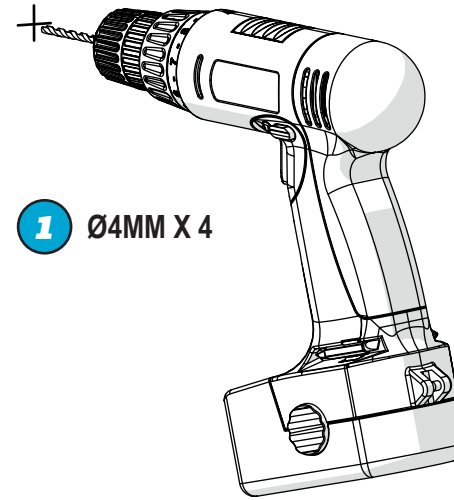
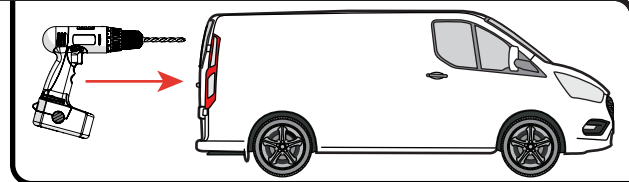


09

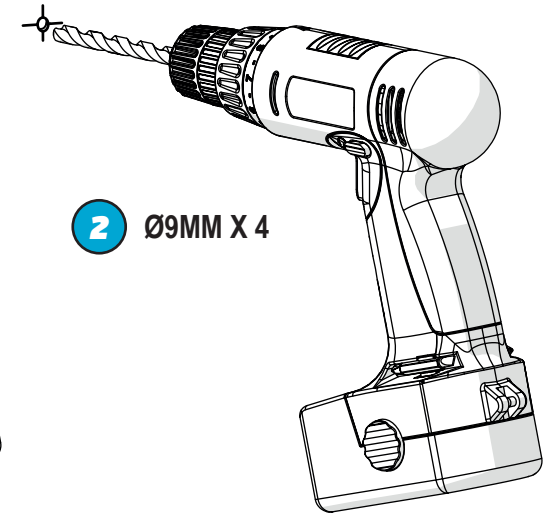


X4

10

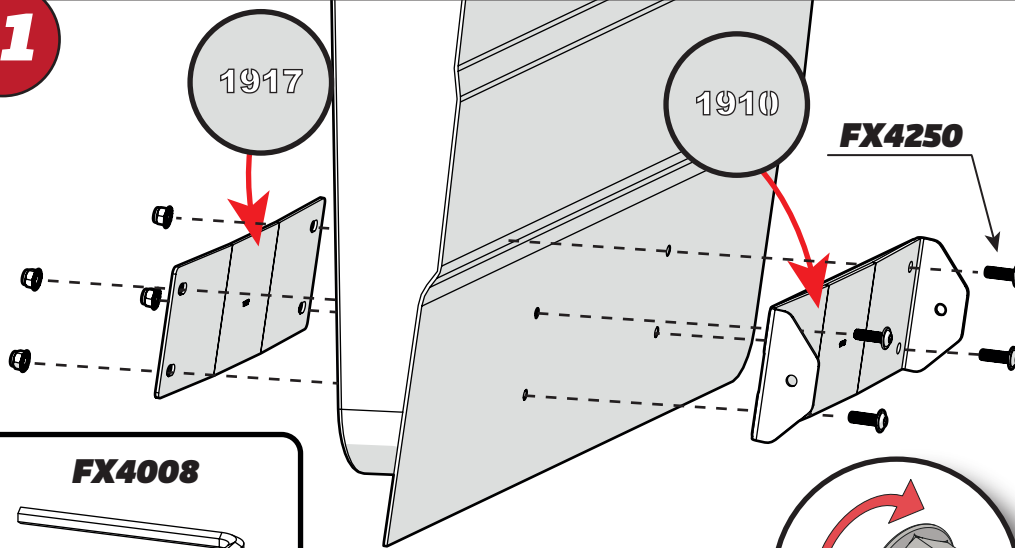


1 Ø4MM X 4



2 Ø9MM X 4

11



1917

1910

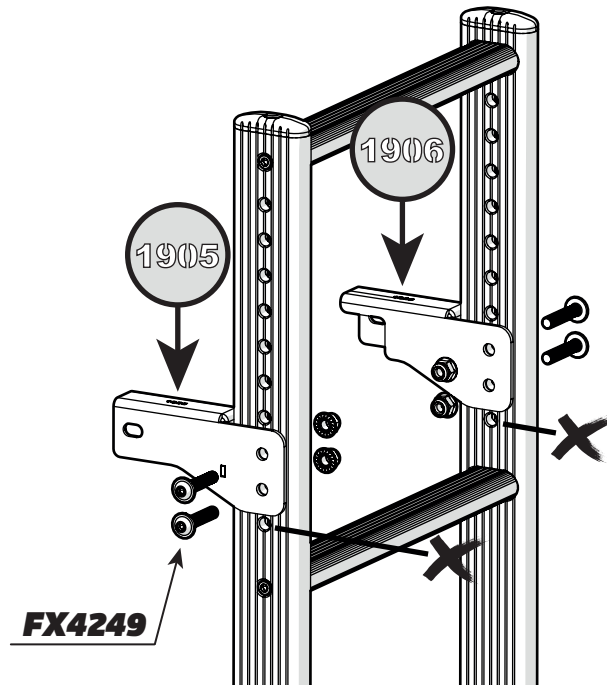
FX4250

FX4008



12Nm

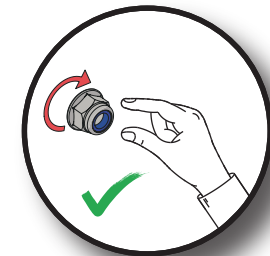
12



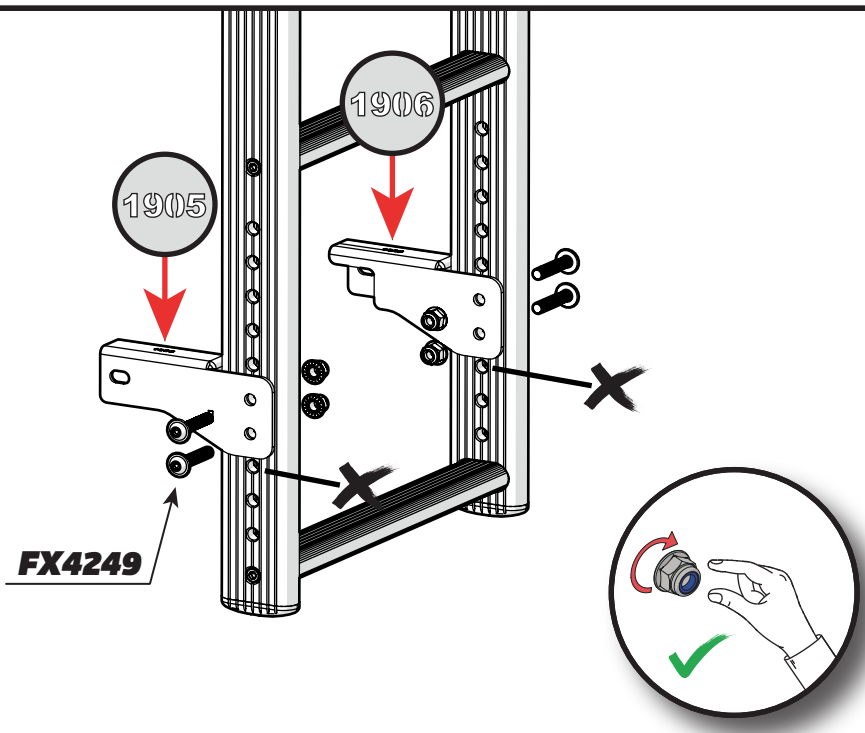
1905

1906

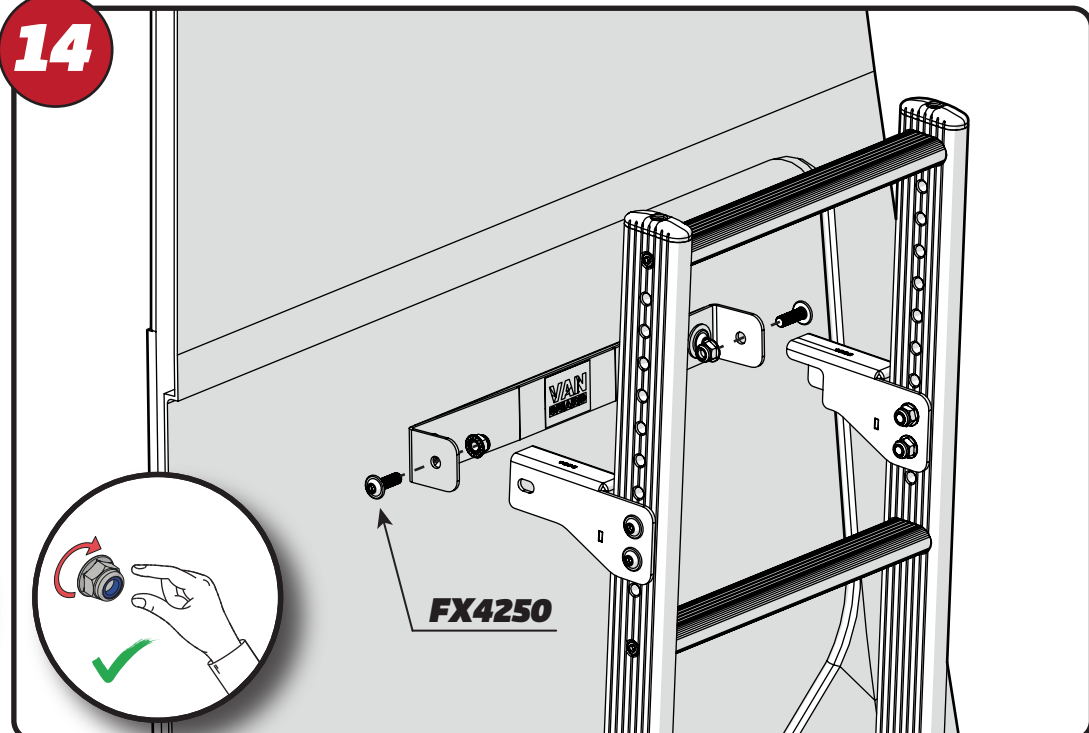
FX4249



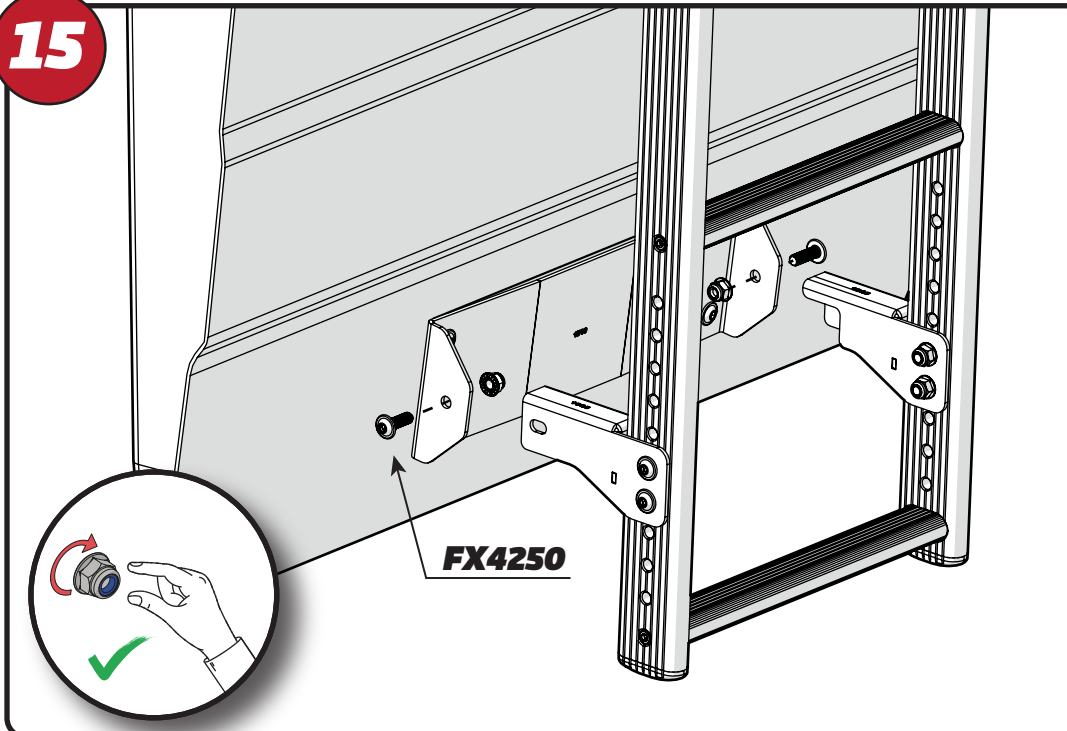
13



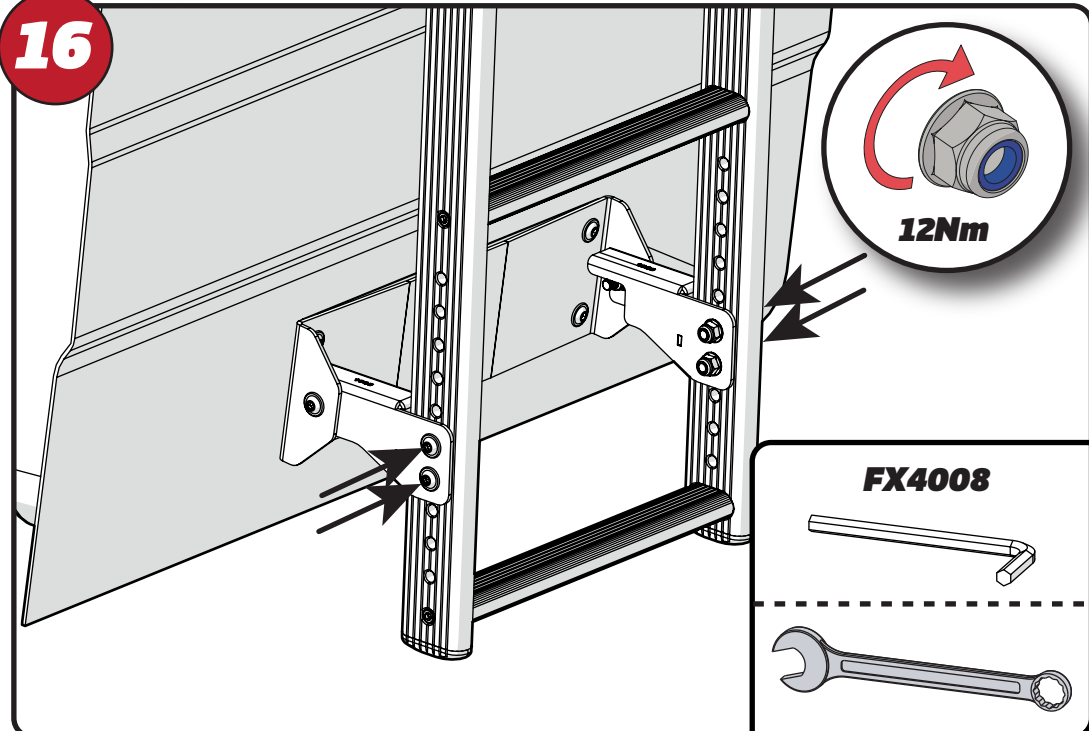
14



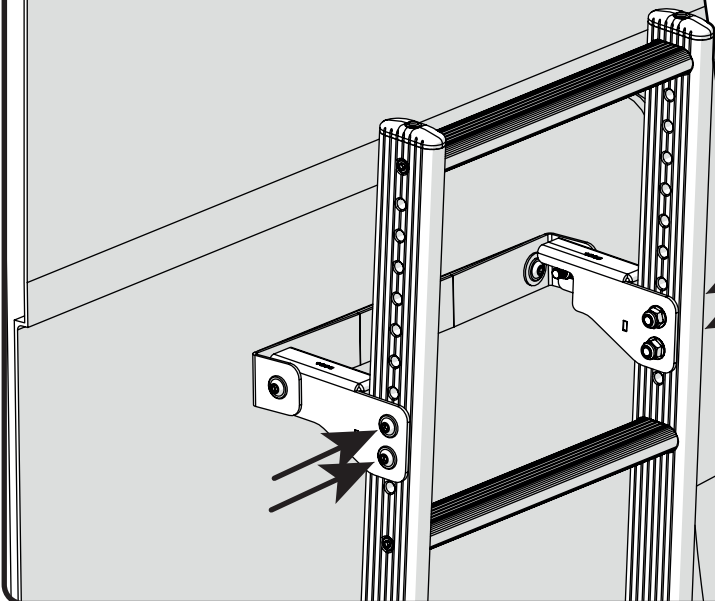
15



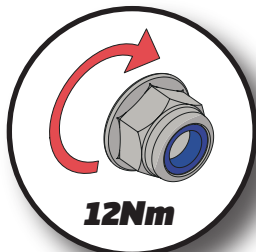
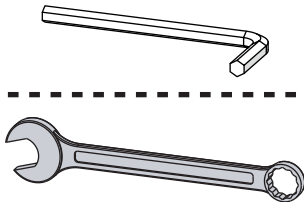
16



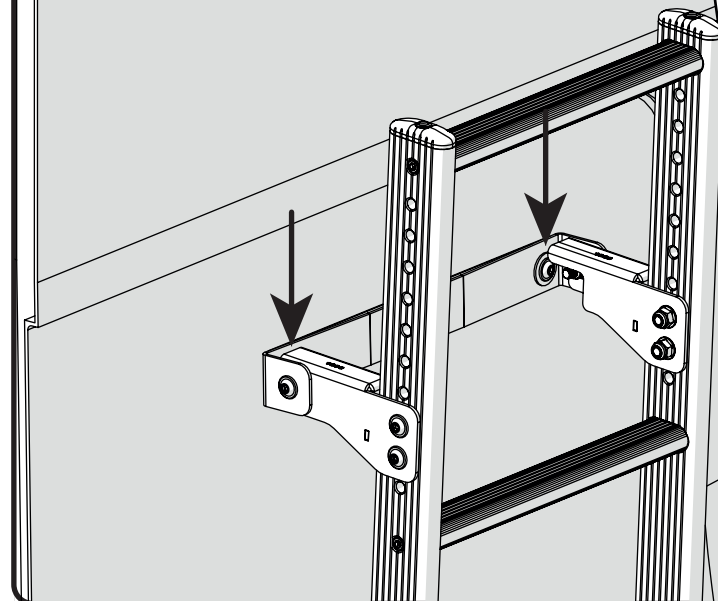
17



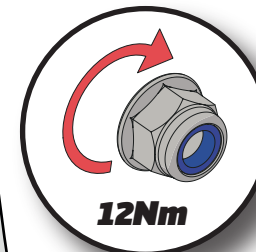
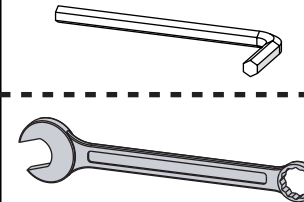
FX4008



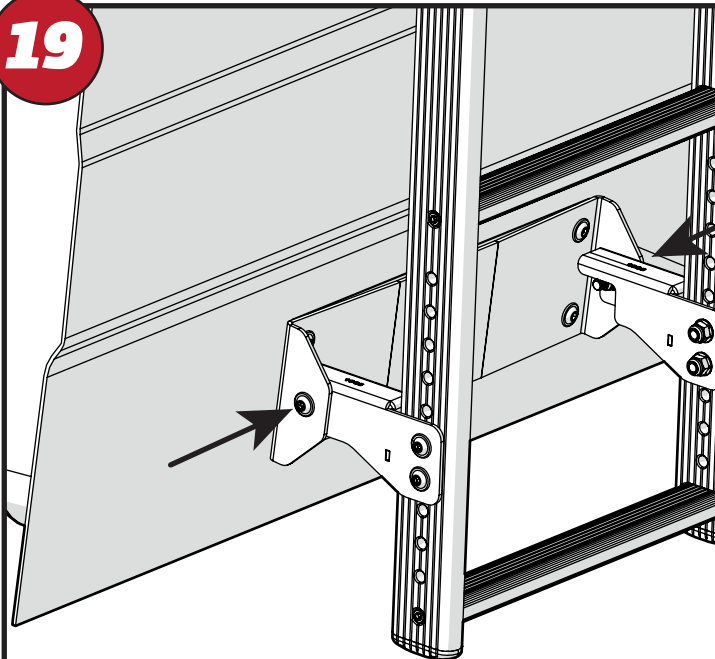
18



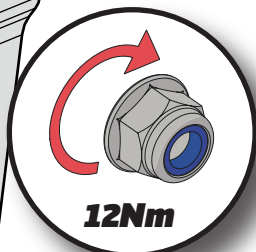
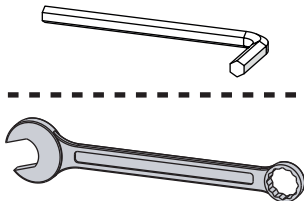
FX4008



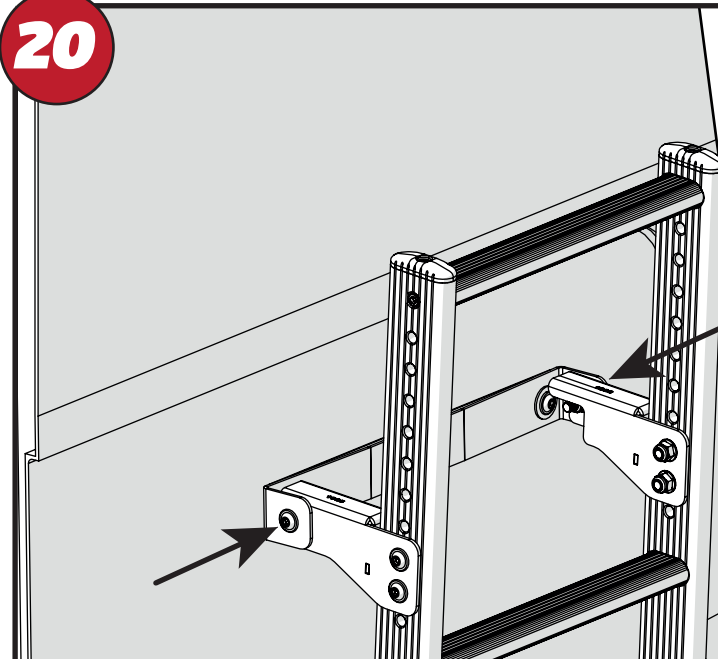
19



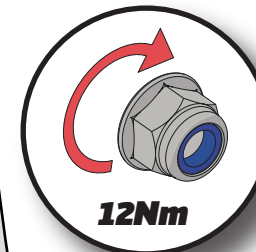
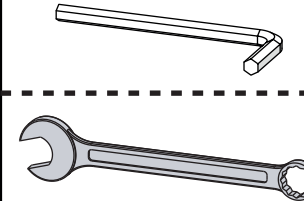
FX4008



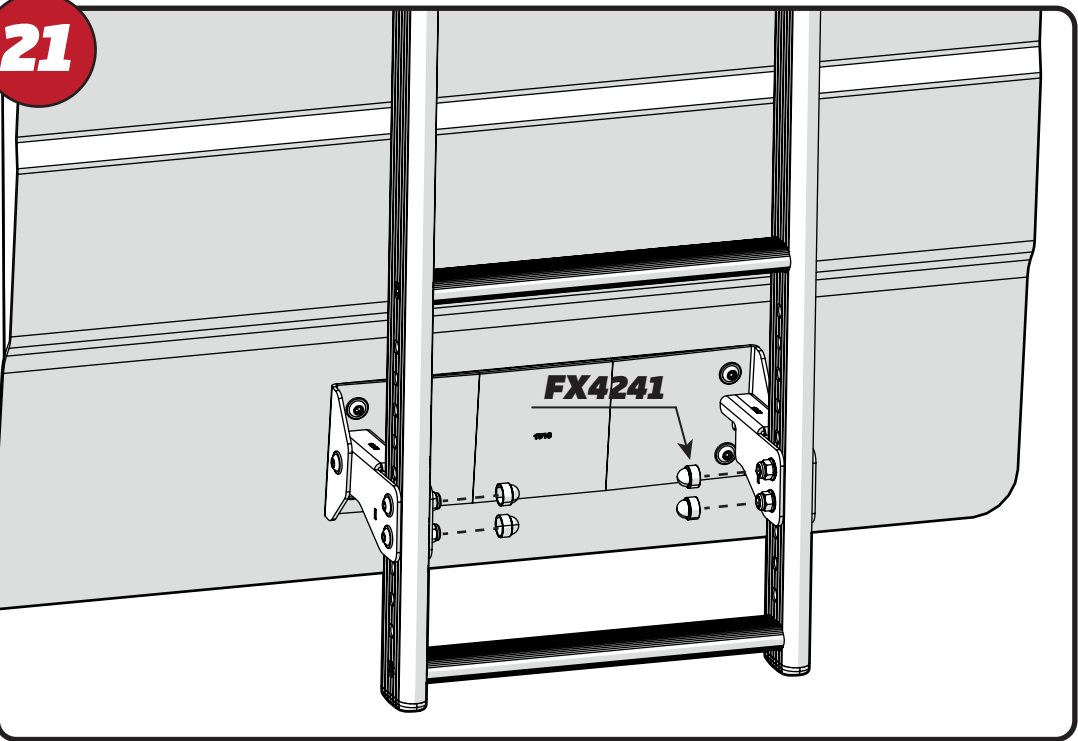
20



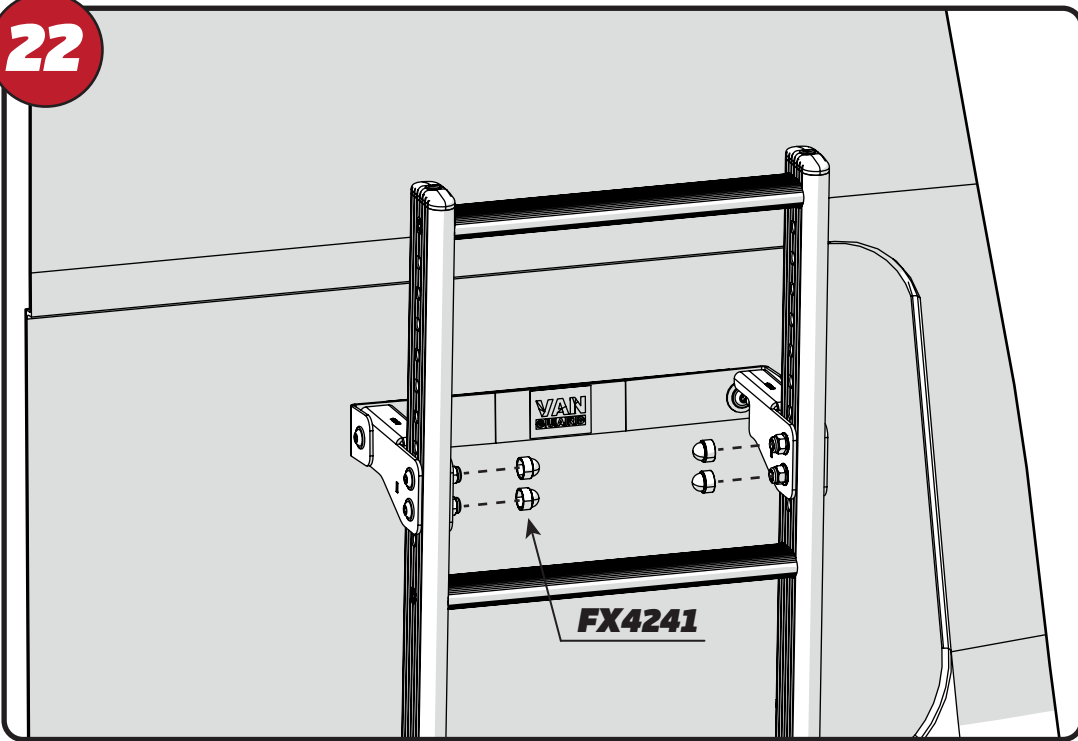
FX4008



21



22



23

